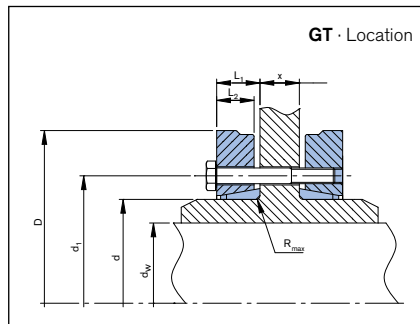
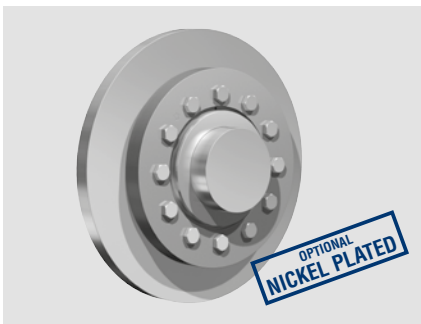
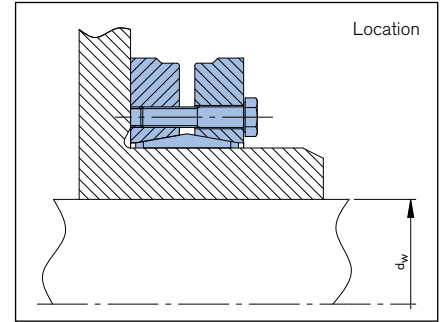
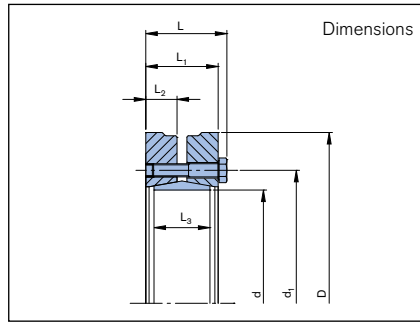
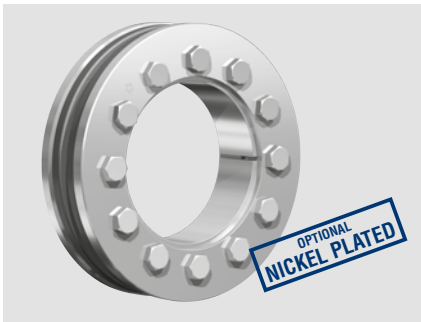


RINGFEDER® Shrink Discs

RfN 4061

Standard Series · split



d = Inner ring diameter	L₃ = Width of inner ring	Gw = Weight
D = Outer diameter	T_A = Max tightened torque of the screws	σ_v = Equivalent stress in the hub
d_w = Solid shaft diameter	T = Transmissible torque at given T _A	Calculated combined stress in the hub extension (d/d _w) under consideration of the tangential, radial and torsional stresses.
d₁ = Pitch circle diameter	F_{ax} = Transmissible axial force	T_{max} = Max. transmissible torque
L = Overall width	P = Hub surface pressure	
L₁ = Overall width without screws	n_{Sc} = Quantity of locking screws	
L₂ = Thrust ring width	D_G = Thread	

Shrink discs dimensions									Transmissible torques or axial forces				Locking screws ¹⁾ ISO 4014/4017 - 10.9				
d	x	D	d _w	d ₁	L	L ₁	L ₂	L ₃	T _A ¹⁾	T	F _{ax}	P	σ _v	n _{Sc}	D _G	Gw	T _{max}
mm		mm	mm	mm	mm	mm	mm	mm	Nm	Nm	kN	N/mm ²	N/mm ²			kg	Nm
14	x	37	10	24	14,8	12	5	9	2,4	30	8	278	415	3	M4	0,1	37,5
			11							37	8		474				46
			12							48	10		557				60
16	x	41	12	27	18,5	15	6,25	12	4	70	15	336	509	4	M5	0,1	90
			13							90	18		575				110
			14							110	20		774				130
18	x	44	14	29	18,5	15	6,25	12	4	90	16	299	459	4	M5	0,2	110
			15							100	18		523				130
			16							120	20		705				160
20	x	46	15	32	21	17,5	7	12	4	110	20	336	462	5	M5	0,2	140
			16							140	22		497				170
			17							160	24		580				200
21	x	50	16	36	22,5	19	8	15	5	200	31	384	534	6	M5	0,2	250
			17							230	34		602				290
			18							260	37		746				330

To continue see next page

RINGFEDER® Shrink Discs

RfN 4061

Standard Series - split

Shrink discs dimensions								T _A ¹⁾	Transmissible torques or axial forces		P	σ _V	Locking screws ¹⁾ ISO 4014/4017 - 10.9		G _w	T _{max}	
d	x	D	d _w	d ₁	L	L ₁	L ₂		L ₃	T			F _{ax}	N/mm ²			N/mm ²
mm			mm	mm	mm	mm	mm	mm	Nm	kN							
24	x	50	19	36	22,5	19	8	15	5	240	32	336	495	6	M5	0,2	300
			20							270	35		554				340
			21							300	38		679				390
30	x	52	24	41,5	26	22,5	9,5	18	5	350	38	261	390	7	M5	0,2	450
			25							400	41		426				500
			26							440	43		492				560
36	x	72	28	52	27,5	23,5	10	18	12	590	53	303	390	5	M6	0,5	730
			30							690	58		438				860
			31							700	58		536				890
38	x	72	29	55	30	26	10,5	21	12	700	62	295	378	6	M6	0,5	890
			30							770	65		394				970
			31							780	63		474				980
40	x	72	30	57	28,5	24,5	10,5	19	12	720	61	310	375	6	M6	0,5	900
			31							730	59		450				910
			32							790	62		460				990
44	x	80	32	63	30	26	11	20	12	800	63	312	429	7	M6	0,5	1.000
			35							1.000	73		444				1.250
			36							1.050	76		458				1.350
48	x	80	36	68	30	26	11	22	12	900	65	260	371	7	M6	0,6	1.150
			38							1.050	72		380				1.350
			40							1.200	78		403				1.550
50	x	90	38	70	31,5	27,5	12	22,5	12	1.350	89	314	418	9	M6	0,9	1.650
			40							1.500	96		433				1.900
			42							1.700	103		467				2.150
55	x	100	42	75	34,5	30,5	13	23	12	1.300	78	248	343	8	M6	1,1	1.600
			45							1.550	87		359				1.950
			48							1.800	96		410				2.300
62	x	110	48	86	34,5	30,5	13	23	12	2.400	126	330	407	12	M6	1,3	3.000
			50							2.650	133		419				3.300
			52							2.800	136		482				3.500
68	x	115	50	86	34,5	30,5	13	23,5	12	1.900	95	245	314	10	M6	1,4	2.350
			55							2.250	104		367				2.850
			60							2.850	121		411				3.600
75	x	138	55	100	37,8	32,5	14	25	30	2.650	121	277	377	7	M8	2,3	3.300
			60							3.300	139		382				4.150
			65							4.050	158		416				5.100
80	x	145	60	100	37,8	32,5	14	25	30	3.200	126	259	353	7	M8	2,5	4.000
			65							3.900	143		358				4.900
			70							4.600	160		392				5.750
85	x	155	60	114	45,8	40,5	16	30	30	4.850	189	325	404	11	M8	3,5	6.050
			65							5.800	212		407				7.250
			70							6.800	235		427				8.500
90	x	155	65	114	44,5	39	17	30	30	4.800	174	274	353	10	M8	3,3	6.000
			70							6.050	195		356				7.550
			75							7.300	215		372				9.150
95	x	170	65	127	52,5	47,2	19	34	30	5.350	195	275	349	12	M8	4,7	6.700
			70							6.750	217		349				8.450
			75							8.150	240		355				10.200
100	x	170	70	127	52,5	47,2	19	34	30	6.950	202	261	331	12	M8	4,5	8.700
			75							7.600	223		331				9.500
			80							9.100	245		338				11.350
110	x	185	75	145	59,4	53	23	42	59	8.150	259	254	316	10	M10	6,3	10.150
			80							10.100	285		316				12.600
			85							12.200	296		357				15.250

To continue see next page

RINGFEDER® Shrink Discs

RfN 4061

Standard Series - split

Shrink discs dimensions								Transmissible torques or axial forces				Locking screws ¹⁾ ISO 4014/4017 - 10.9					
d	x	D	d _w	d ₁	L	L ₁	L ₂	L ₃	T _A ¹⁾	T	F _{ax}	P	σ _v	n _{Sc}	D _G	G _w	T _{max}
mm			mm	mm	mm	mm	mm	mm	Nm	Nm	kN	N/mm ²	N/mm ²			kg	Nm
115	x	185	80	145	62,4	56	23	42	59	9.500	267	243	302	10	M10	6,1	11.850
			90							12.100	302		342				15.100
			95							14.050	329		353				17.550
125	x	215	85	160	60,4	54	23	42	59	11.050	300	269	354	12	M10	8,7	13.800
			90							13.100	327		352				16.350
			95							15.150	355		352				18.950
140	x	230	95	175	68	60,5	26	46	100	15.100	365	263	336	10	M12	10,6	18.850
			100							17.550	395		335				21.900
			105							20.000	424		335				25.000
165	x	290	115	210	81	71	31	56	250	31.400	601	280	334	8	M16	21,7	39.300
			120							35.500	637		335				44.400
			125							39.400	664		348				49.250
185	x	330	135	236	96,4	86,4	38,2	71	250	52.500	786	246	307	10	M16	36	65.600
			140							57.350	828		310				71.650
			145							62.400	870		314				78.000
195	x	350	140	246	96	86	38,2	71	250	65.950	943	280	332	12	M16	40	82.450
			150							77.600	1.035		338				97.000
			155							83.750	1.081		345				104.700
200	x	350	150	246	96	86	38,2	71	250	75.000	1.000	273	326	12	M16	39	93.750
			155							81.000	1.045		330				101.200
			160							87.200	1.091		337				109.000

More sizes on request

Ordering example: RfN 4061

Series	d	D	Version
RfN 4061	185	330	
RfN 4061	185	330	N
RfN 4061	110	185	GT
RfN 4061	110	185	GT-N

N = nickel plated
 GT = Split
 GT-N = Split - nickel plated

¹⁾ Shrink disc GT delivered without screws. Tightening torques for screws quantity see table

N = Nickel plated series

■ Surface finishes for shaft R_a ≤ 3,2 μm